

# luxcambra

SINCE 1966

## Cim a arco

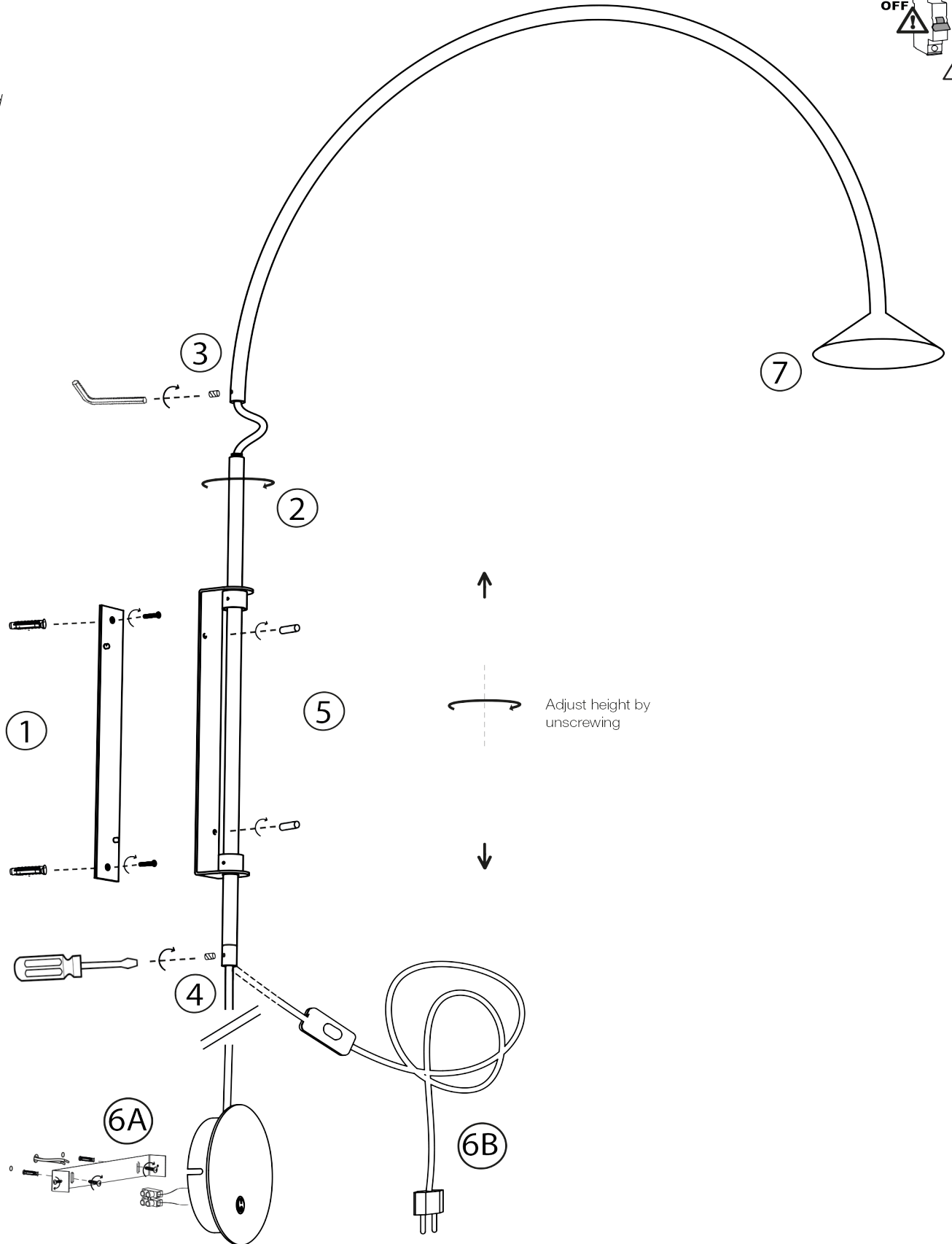
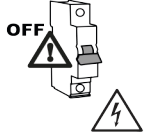
Aplique Wall lamp Applique

ESTUDI MANEL MOLINA

E-27 LED  
12W



**No incluida**  
Not included  
Non inclus



# luxcambra

SINCE 1966

## Cim a arco

Applique *Wall lamp* Applique

ESTUDI MANEL MOLINA

E-27 LED  
12W



**No incluida**  
*Not included*  
*Non inclus*

