

luxcambra

SINCE 1966

Oxygen c

Lámpara de suspensión *Hanging lamp* Lampe de suspension

Bruno de Ávila

E-27 LED 12W



No Incluida

Not Included

Non Inclus

PBC LED 2.1W

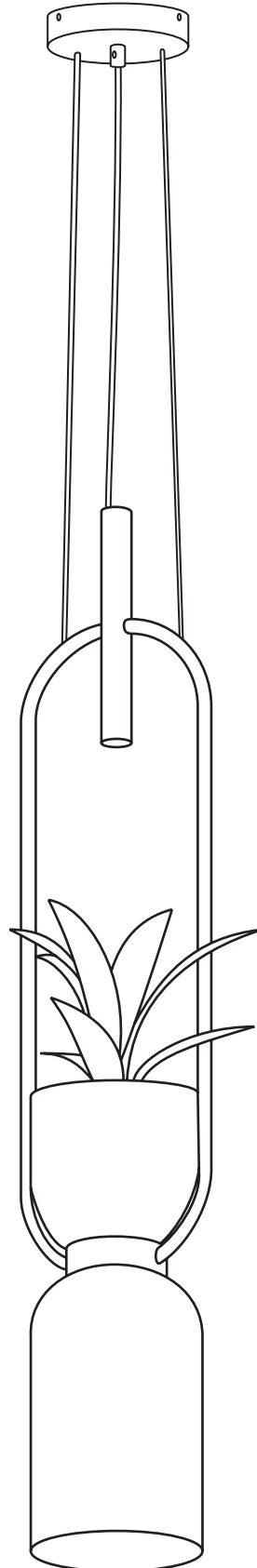
CRI>90 - 2700 K - 210 lm



Incluida

Included

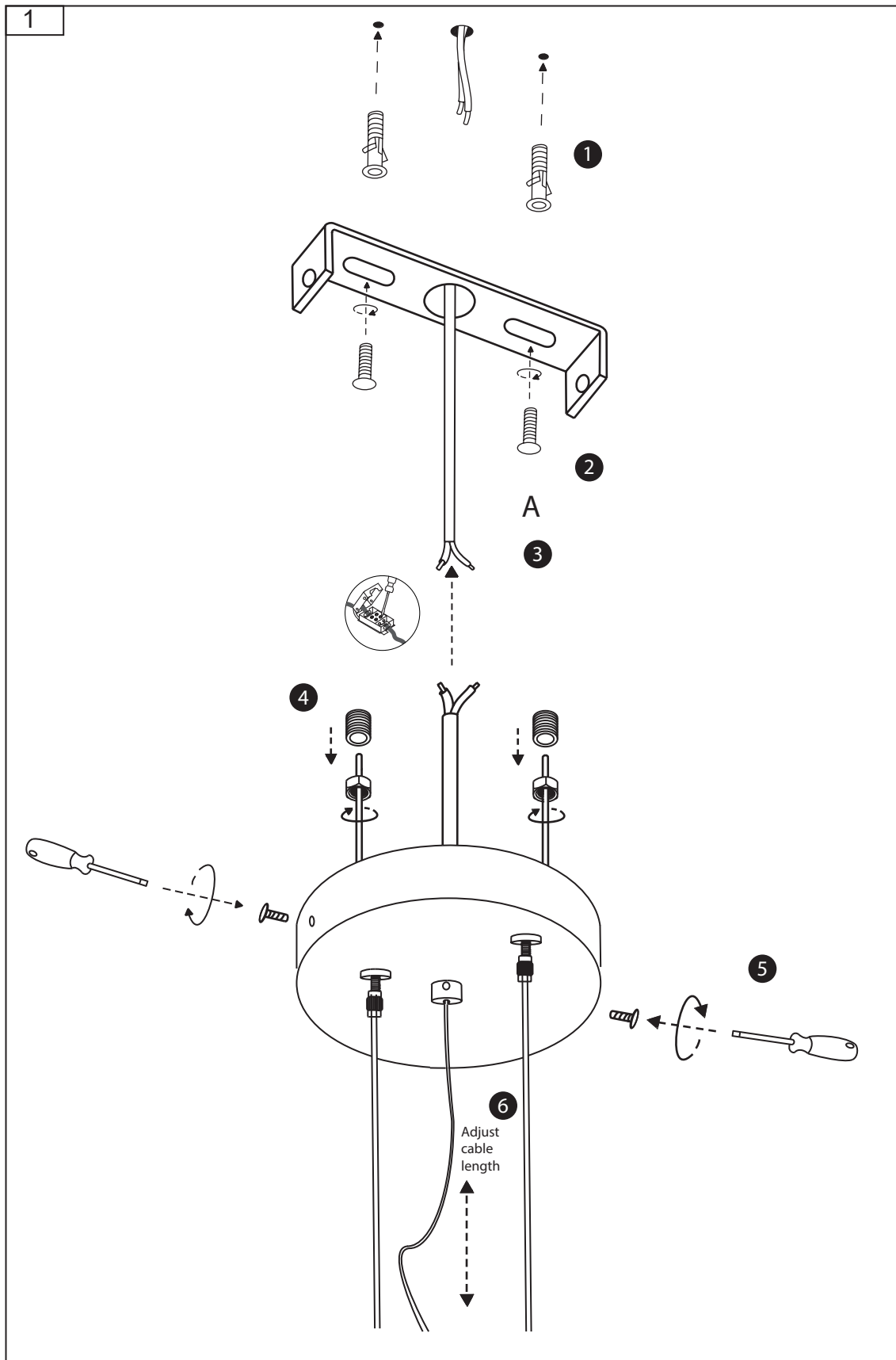
Inclus



Oxygen c

Lámpara de suspensión *Hanging lamp* Lampe de suspension

Bruno de Ávila

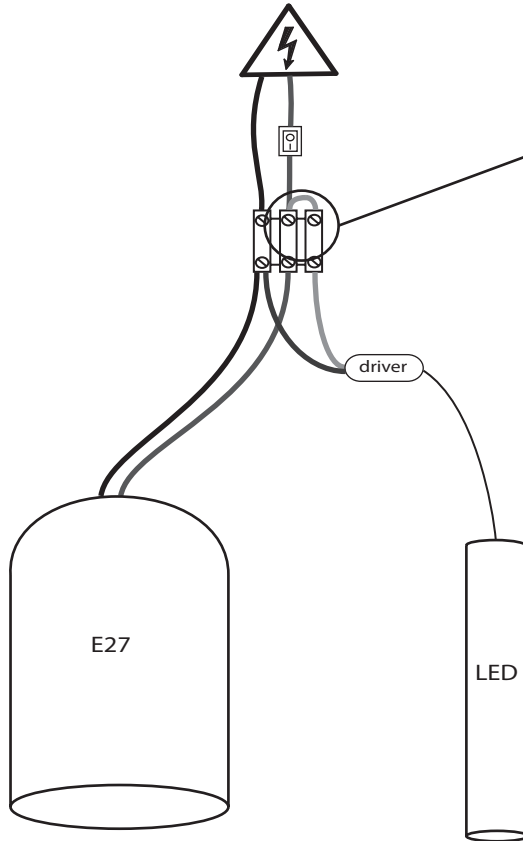


Oxygen c

Lámpara de suspensión *Hanging lamp* Lampe de suspension

Bruno de Ávila

A1

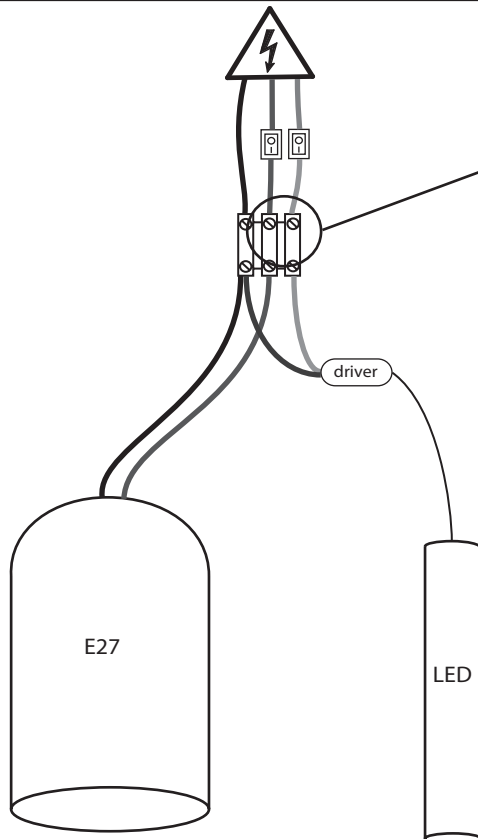


Option 1: (recommended)

When the installation has only 1 circuit breaker, connect green and brown wire to make a bonding jumper.

- Black = navy blue
- Light grey = brown
- Dark grey = green
- Black grey = light blue
- Slim black = black and red cables

A2



Option 2:

If you have 2 switches and want to use each light separately.

- Black = navy blue
- Light grey = brown
- Dark grey = green
- Black grey = light blue
- Slim black = black and red cables

Oxygen c

Lámpara de suspensión *Hanging lamp* Lampe de suspension

Bruno de Ávila

