

luxcambra

SINCE 1966

Absis c lineal

Lámpara de suspènsion lineal Linear hanging lamp Lamp d'suspension linéaire

JORDI LLOPIS

PCB LED 4,2 W

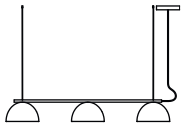
CRI > 90 - 2.700 K - 420 lm



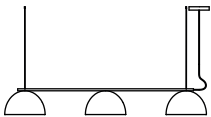
Incluida

Included

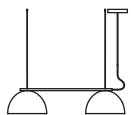
Inclus



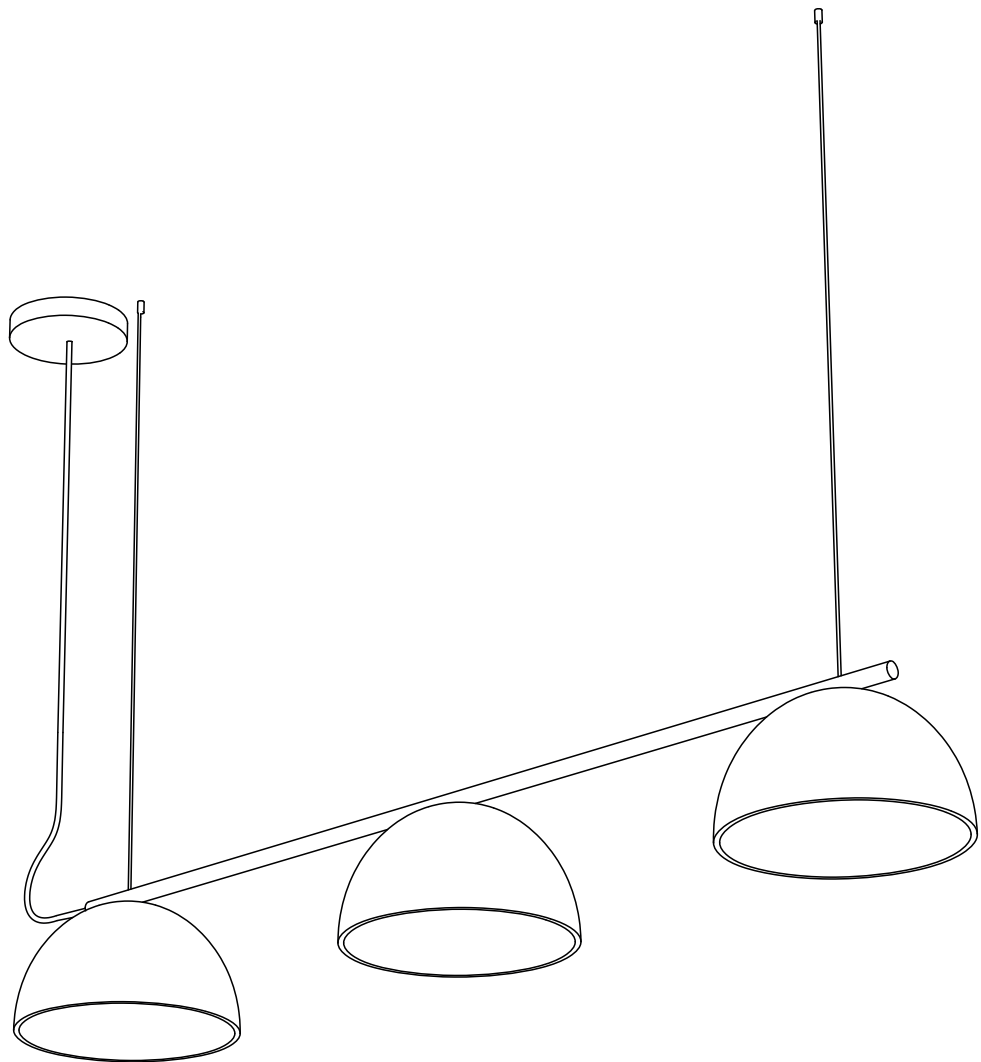
Absis c lineal 3S



Absis c lineal 3L



Absis c lineal 2L



luxcambra

SINCE 1966

Absis c lineal

Lámpara de suspènsion lineal Linear hanging lamp Lamp d'suspension linéaire

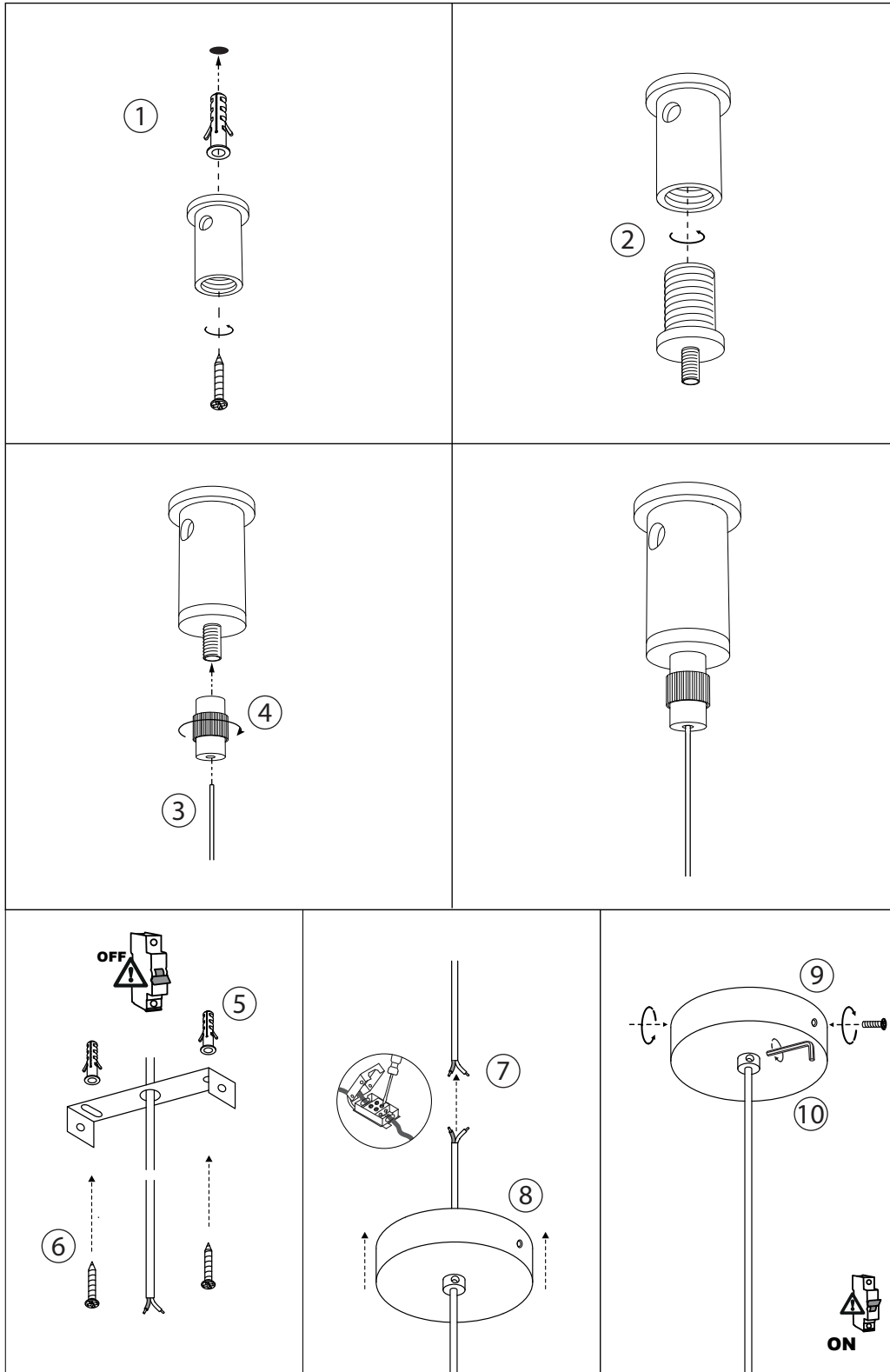
JORDI LLOPIS

PCB LED 4,2 W

CRI > 90 - 2.700 K - 420 lm



Incluida
Included
Inclus



luxcambra

SINCE 1966

Absis c lineal

Lámpara de suspensió lineal Linear hanging lamp Lamp d'suspension linéaire

JORDI LLOPIS

PCB LED 4,2 W

CRI > 90 - 2.700 K - 420 lm



Incluida

Included

Inclus

