

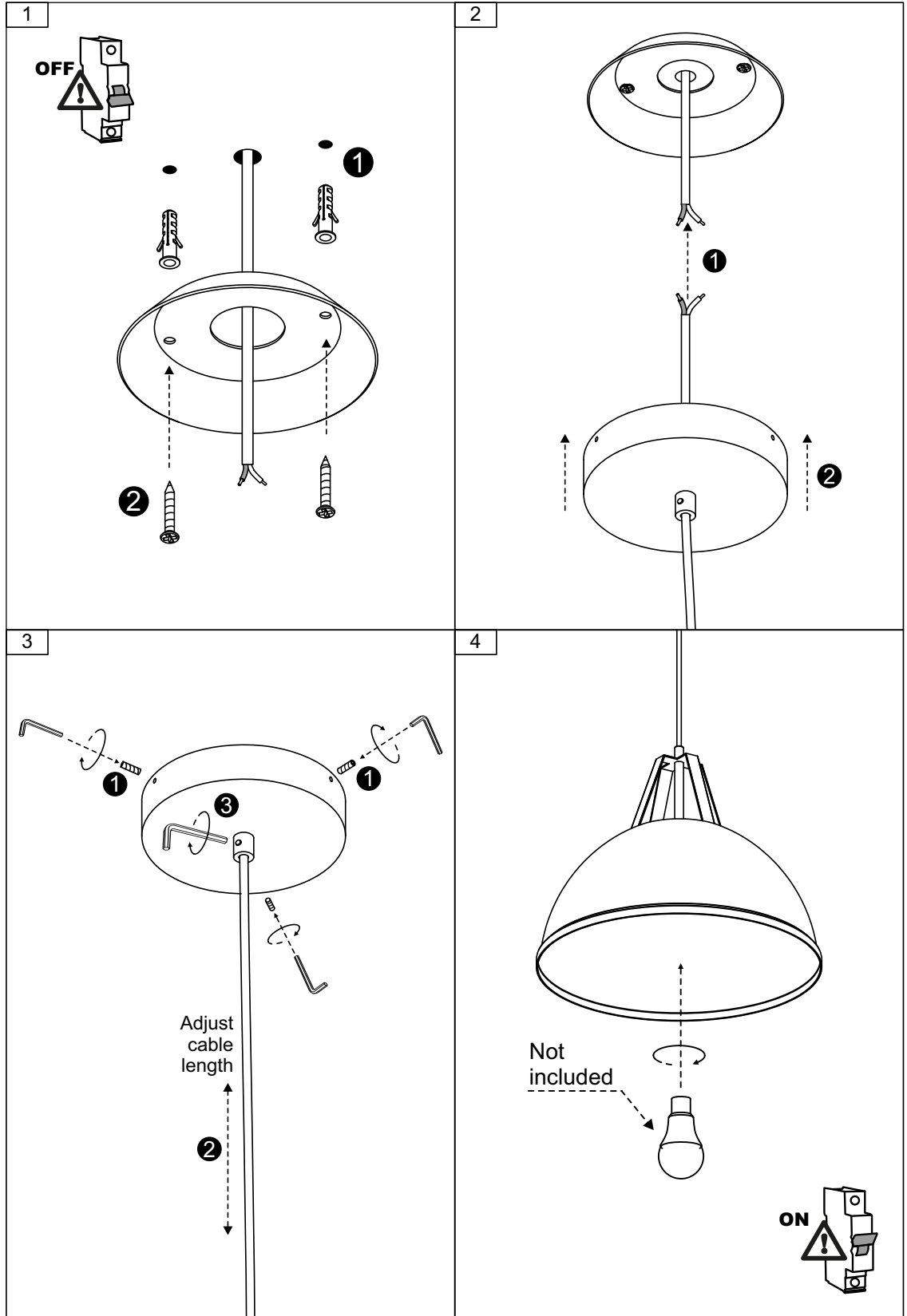


# Astoria c small

Lámpara de suspensión *Hanging lamp* Suspension

- 1316
- 1317
- 1318
- 1319



-  **A+** E-27 vintage LED 8W
-  **A+** E-27 vintage LED 8W



# Astoria c large

Lámpara de suspensión *Hanging lamp* Suspension

- 1320
- 1321
- 1322
- 1323

-  **A+** E-27 vintage LED 8W
-  **A+** E-27 vintage LED 8W

